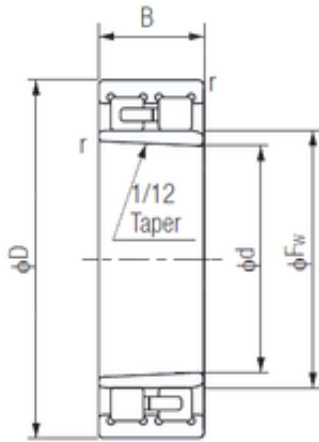




Jinan Shenglei Bearing Co., Ltd.

110 mm x 150 mm x 40 mm NACHI NNU4922K Cylindrical roller bearing



Bearing No. NNU4922K

Size	110x150x40 mm
Bore Diameter	110 mm
Outer Diameter	150 mm
Width	40 mm
d	110 mm
Fw	123 mm
D	150 mm
B	40 mm
C	40 mm
r min.	1,1 mm
Weight	1,93 Kg
Basic dynamic load rating (C)	167 kN
Basic static load rating (C0)	335 kN
(Grease) Lubrication Speed	5800 r/min

NNU4922K Bearing 2D drawings and 3D CAD models