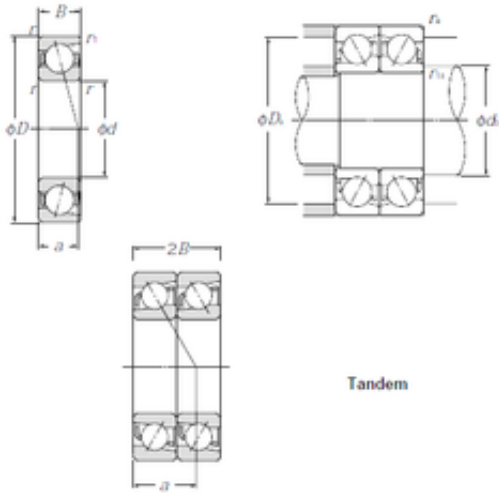




Jinan Shenglei Bearing Co., Ltd.



100 mm x 140 mm x 20 mm CYSD 7920CDT
Angular contact ball bearing

Bearing No. 7920CDT

Size	100x140x20 mm
Bore Diameter	100 mm
Outer Diameter	140 mm
Width	20 mm
d	100 mm
D	140 mm
B	20 mm
C	20 mm
Angle (°)	15 °
r min.	1,1 mm
2B	40 mm
Weight	1,556 Kg
Basic dynamic load rating (C)	86 kN
Basic static load rating (C0)	117 kN
(Grease) Lubrication Speed	5400 r/min

7920CDT Bearing 2D drawings and 3D CAD models